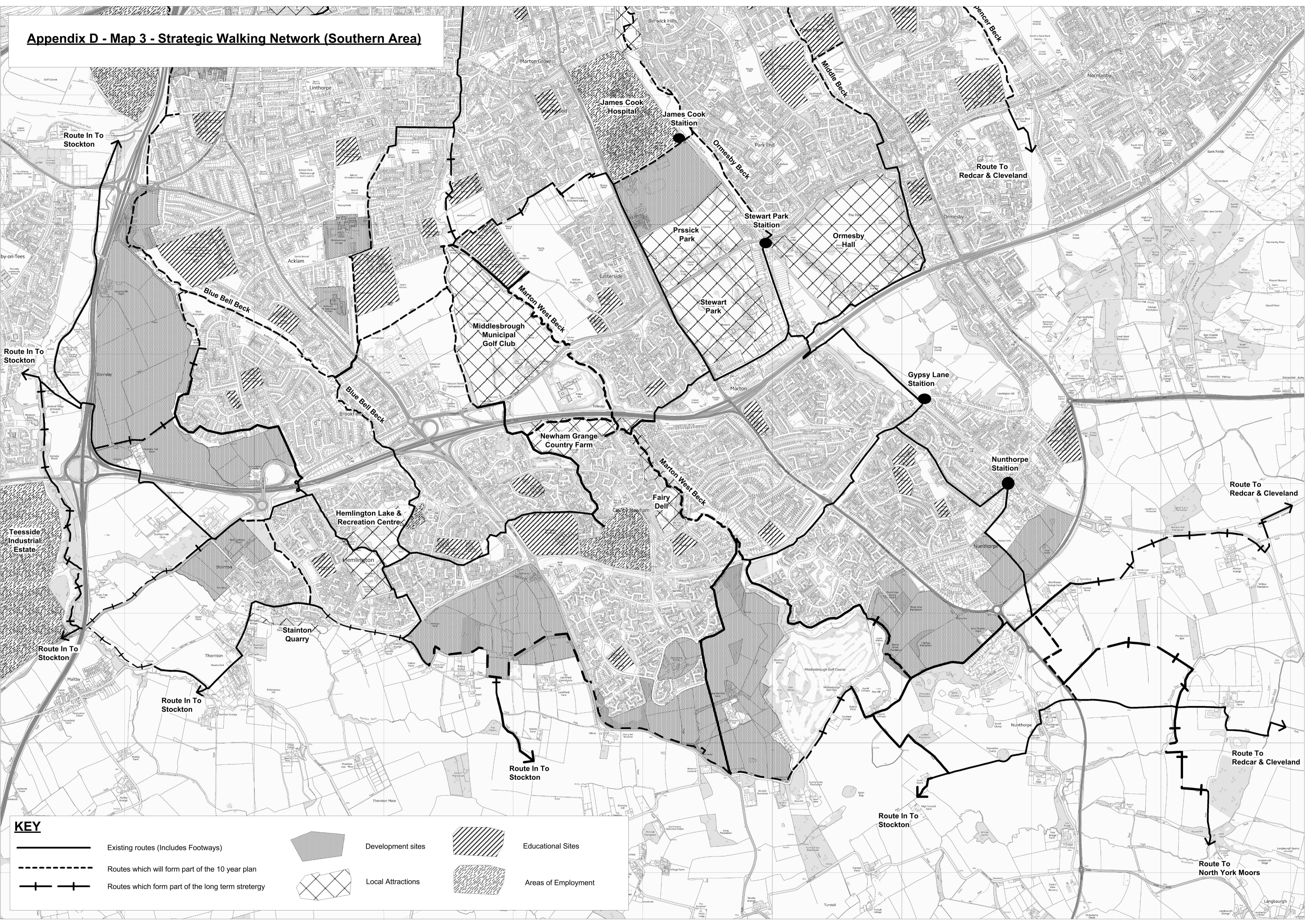

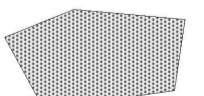

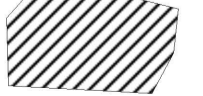





Appendix D - Map 3 - Strategic Walking Network (Southern Area)



KEY			
	Existing routes (Includes Footways)		Development sites
	Routes which will form part of the 10 year plan		Educational Sites
	Routes which form part of the long term strategy		Areas of Employment
	Local Attractions		